



单螺杆泵

PROGRESSIVE CAVITY PUMP



罗博思达单螺杆泵

LOBEPRO PROGRESSIVE CAVITY PUMP



型号定义

MODEL DESCRIPTION

L N 25 - 2 L C 2 R M

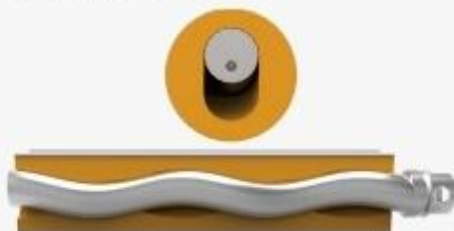


- 密封形式 / Seal type: M/ 机封Machinery seal; P/填料 Packing seal
- 定子材质 / Stator material:R/ NBR; E/三元乙丙 EPDM; F/FKM; H/HNBR
- 转动部件材质 / RTE material: 1/ 工具钢tool steel; 2/304; 3/316; 4/双向不锈钢DSS
- 泵体材质 / Pump body material: C/碳钢 iron steel ; S/ 不锈钢Stainless steel
- 转子 / 定子几何级数: Rotor/stator shape: L, S, P, D
- 泵级数/Pump stage: 1,2,3,4,6,8
- 型号: Model
- 泵系列/Pump series: N, SN, F, SF, SP, D, Z, DJ,
- 企业标识/ LOBEPRO

单螺杆泵转子/定子几何体及螺距介绍:

L型 / L type

单头 / 长螺距
single head/ long pitch



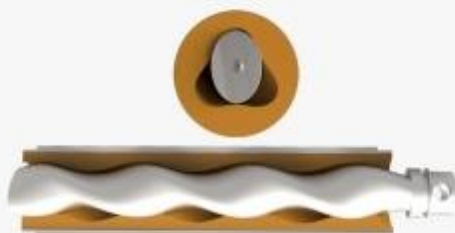
S型 / S type

单头 / 短螺距
single head / short pitch



P型 / P type

双头 / 长螺距
double heads / short pitch



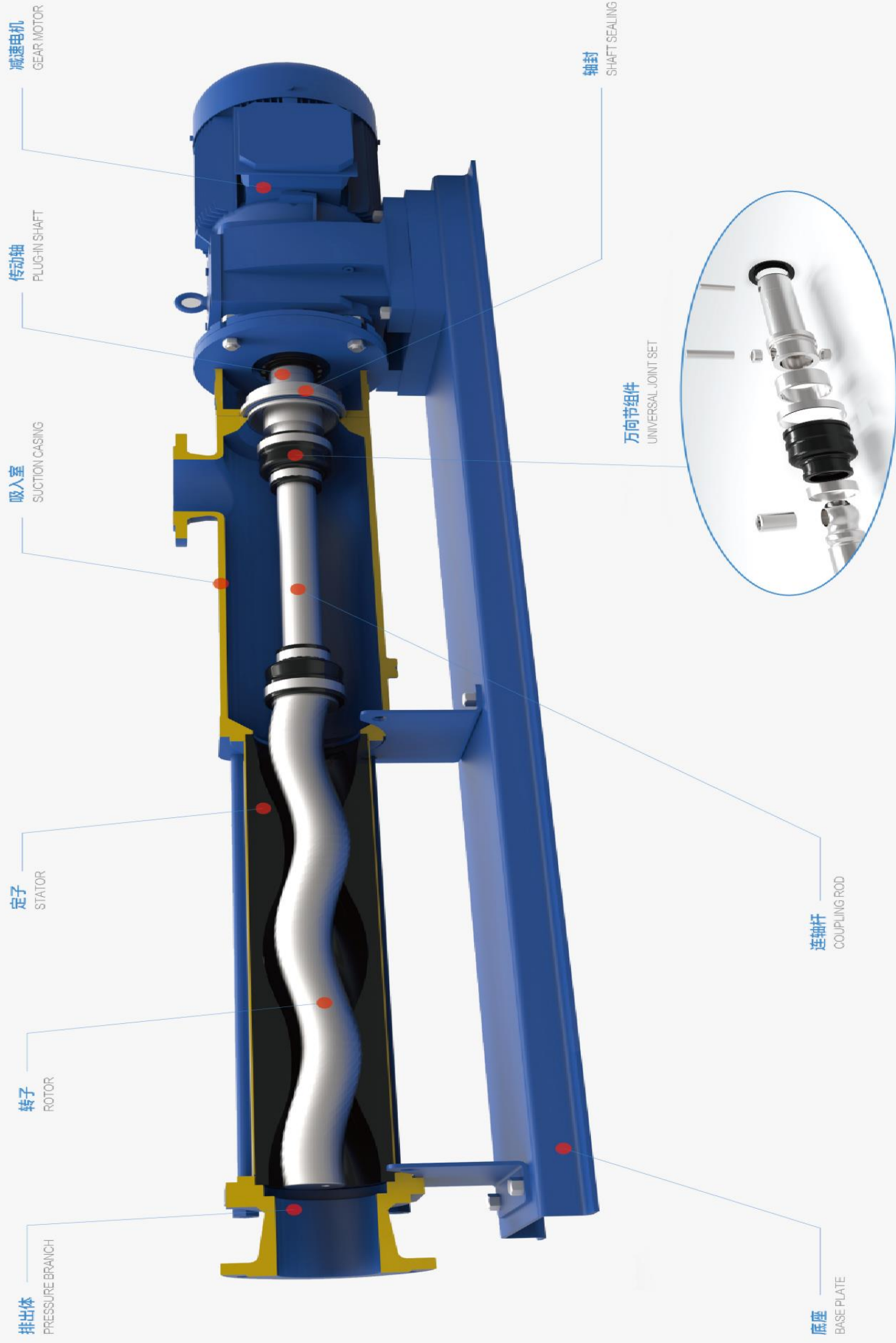
D型 / D type

双头 / 短螺距
double heads/ Short pitch



泵型解剖图

PUMP SECTIONAL VIEW





LD 系列-计量药泵
LD SERIES-DOSING PUMP

计量精度 / Measurement accuracy: <1%
流量范围 / Capacity range: 0.1-250 l/h
压力范围 / Pressure range: 0-24 bar



LN 系列-通用型泵
LN SERIES-GENERAL PUMP

流量范围 / Capacity range: 0.5 -300 m³ /h
压力范围 / Pressure range: 0-24 bar



LSN 系列-带轴承座结构泵
LSN SERIES-BEARING HOUSE PUMP

流量范围 / Capacity range: 0.5 -150m³ /h
压力范围 / Pressure range: 0- 48 bar



LZ 系列-食品卫生泵
LZ SERIES-FOOD HYGIENE PUMP

流量范围 / Capacity range: 0.5 -50 m³ /h
压力范围 / Pressure range: 0-24 bar

标准泵系列 STANDARD PUMP SERIES



LDJ 系列-点胶泵 LDJ SERIES-ADHESIVE PUMP

计量精度 / Measurement accuracy: <1%
流量范围 / Capacity range: 0.02-50 ml/r
压力范围 / Pressure range: 0-18 bar



LF 系列 - 矩形接口泵 LF SERIES-HOPPER PUMP

流量范围 / Capacity range: 0.5-120 m³/h
压力范围 / Pressure range: 0-24 bar



LSF 系列 - 带轴承座矩形接口泵 LSF SERIES-BEARINGHOUSE & HOPPER PUMP

流量范围 / Capacity range: 0.5-120 m³/h
压力范围 / Pressure range: 0-48 bar



LSP 系列 - 带破桥装置泵 LSP SERIES-BRIDGEBREAKER PUMP

流量范围 / Capacity range: 0.5-60 m³/h
压力范围 / Pressure range: 0-48 bar

材质介绍

MATERIAL INTRODUCTION

螺杆泵橡胶部件材质介绍/Rubber Material Information

材质/Material	耐腐蚀性/Corrosion Resistance	耐溶胀/Swelling Resistance	耐磨性/Wear Resistance	耐温范围/Temperature Range
丁腈橡胶/NBR	一般/OK	好/Good	好/Good	110℃
三元乙丙橡胶/EPDM	好/Good	差/Bad	好/Good	120℃
氟橡胶/KFM	很好/Very Good	很好/Very Good	一般/OK	180℃
氢化丁腈橡胶/HNBR	很好/Very Good	好/Good	好/Good	170℃
聚四氟乙烯/PTFE	很好/Very Good	很好/Very Good	差/Bad	230℃

螺杆泵金属部件材质介绍/Metal material Information

材质/Material	耐腐蚀性/Corrosion Resistance	耐磨性/Wear Resistance
合金钢+镀硬铬/Tool Steel+CP	好/Good	很好/Very Good
不锈钢/SS304	好/Good	好/Good
不锈钢 /SS316	很好/Very Good	好/Good
不锈钢304 +镀硬铬/SS304+CP	好/Good	很好/Very Good
不锈钢316 +镀硬铬/SS316+CP	好/Good	很好/Very Good
双相不锈钢/DSS	非常好/Excellent	好/Good
双相不锈钢+镀硬铬/DSS+CP	非常好/Excellent	好/Good

整机配置说明/Whole Set Pump Description

序号	名称Name	备注 Remark
1	定子 Stator	NBR, EPDM, KFM, HNBR, PTFE
2	转子 Rotor	SS304, SS316L, 双相不锈钢DSS, 合金钢Tool Steel
3	连接杆 Coupling Rod	SS304, SS316L, 双相不锈钢DSS, 合金钢Tool Steel
4	传动轴 Plug-in Shaft	SS304, SS316L, 双相不锈钢DSS, 合金钢Tool Steel
5	密封 Sealing	机械密封Machinery Seal, 填料密封 Packing Seal
6	减速电机 Gear Motor	诺德电机或瑞德森等 NÖRD or XL-MOTOR etc.

如果您对于定子, 转子材质有特殊要求, 或您对实际工况不确定选用什么材质, 请联系我们.

If you have special material requirement of stator and rotor, or you have no idea about what material suit for you, don't hesitate to contact us.

螺杆泵流量选型表

SELECTION DATA

泵型号 Pump Type	压力范围 Pressure Range (bar)	流量范围 Capacity Range (m ³ /h)	转速范围 Speed Range (rpm)	进口尺寸 Inlet Size (G/DN)	出口尺寸 Outlet Size (G/DN)	电机功率 Motor Power (KW)
LN025-2S	0~12	0~0.25	0~350	G1¼	G1¼	0.37
LN05-1L	0~6	0~0.5	0~350	G1¼	G1¼	0.37
LN05-2S	0~12	0~0.5	0~350	G1¼	G1¼	0.75
LN1-1L	0~6	0~1	0~350	G1¼	G1¼	0.75
LN1-2S	0~12	0~1	0~350	50	50	1.5
LN1-4S	0~24	0~0.5	0~250	50	50	3
LN3-1L	0~6	0~3	0~350	50	50	2.2
LN3-2S	0~12	0~2.5	0~350	65	65	3
LN3-4S	0~24	0~1.5	0~250	65	65	5.5
LN5-1L	0~6	0~5	0~320	65	65	3
LN5-2S	0~12	0~5	0~320	80	80	4
LN5-3S	0~18	0~3	0~250	80	80	5.5
LN5-4S	0~24	0~2	0~200	80	80	7.5
LN10-1L	0~6	0~10	0~300	80	80	4
LN10-2S	0~12	0~7	0~300	80	80	5.5
LN10-3S	0~18	0~6	0~250	80	80	7.5
LN10-4S	0~24	0~4	0~200	80	80	11
LN15-1L	0~6	0~15	0~300	80	80	5.5
LN15-2S	0~12	0~12	0~300	100	100	7.5
LN15-3S	0~18	0~10	0~250	100	100	11
LN15-4S	0~24	0~7	0~200	100	100	15
LN25-1L	0~6	0~25	0~280	100	100	7.5
LN25-2S	0~12	0~22	0~300	125	125	11
LN25-3S	0~18	0~15	0~250	125	125	15
LN25-4S	0~24	0~12	0~200	125	125	18.5
LN50-1L	0~6	0~50	0~280	125	125	11
LN50-2S	0~12	0~35	0~250	150	150	22
LN50-3S	0~18	0~30	0~230	150	150	30
LN50-4S	0~24	0~26	0~200	150	150	37
LN80-1L	0~6	0~80	0~280	150	150	22
LN80-2S	0~12	0~60	0~280	150	150	37
LN80-3S	0~18	0~42	0~200	150	150	45
LN80-4S	0~24	0~25	0~150	150	150	55
LN120-1L	0~6	0~120	0~250	150	150	37
LN120-2S	0~12	0~100	0~270	200	200	45
LN120-3S	0~18	0~60	0~180	200	200	55
LN120-4S	0~24	0~50	0~150	200	200	55
LN180-1L	0~6	0~180	0~220	200	200	45
LN180-2S	0~12	0~170	0~220	200	200	55
LN300-1L	0~6	0~300	0~220	200	200	55

以上流量以20摄氏度清水为参考,泵的流量与压力在额定转速下成正比关系,最高压力可达到48bar或更高,具体需求和我们联系。

Above data is for pure water at 20 °C, the capacity and pressure is proportional to the rated speed. The pressure can reach or above 48 bar, if you have special requirement, don't hesitate to contact us.

泵的应用

APPLICATIONS & SOLUTIONS



SLUDGE TREATMENT AND ENVIRONMENTAL ENGINEERING

● 污水环处理和环境工程

可输送原生污泥，稠泥，脱水污泥，电解质，废气处理污水，石膏

Pump can convey primary sludge, secondary sludge, thickened sludge, watered sludge, polyelectrolyte, alum, flue gas cleaning-waste water, gypsum, slurries



PULP AND PAPER WOOD

● 造纸和木材加工

用来输送乳胶，石灰浆，纤维素，添加剂，淀粉，钛白粉，明矾，水玻璃，苏达，胶水
pump can convey latex, lime, paper suspension, cellulose additives, starch, TiO₂, Titan-Dioxide, alum, water glass, soda, glue



FOOD INDUSTRY

● 食品行业

用来输送面团，棕榈油，橄榄油，冰激凌，果酱，蜂蜜，肉酱，香肠，土豆渣，焦糖，软糖，芥末，蕃茄酱，宠物食品

It is used to transport dough, palm oil, olive oil, ice cream, jam, honey, meat sauce, sausage, potato dregs, caramel, fudge, mustard, tomato sauce, pet food.



PHARMACEUTICAL AND COSMETICS INDUSTRY

● 制药及化妆品行业

用来输送霜剂，添加剂，凝胶体，香波，油膏

Pump can convey cream, additives, gel, shampoo, ointments



DYE AND PAINT INDUSTRY

● 染料及油漆业

用来输送乳胶漆，油漆，颜料，各种色粉，助剂等

Pump can convey emulsion, paint, pigments, colors, additives

泵的应用

APPLICATIONS & SOLUTIONS

PETROCHEMICAL INDUSTRY

● 石化行业

主要输送原油，润滑剂，矿物油，油泥，淤泥，焦油，水油乳化物，稠油，石蜡
Pump can convey crude oil, lubricant oil, mineral oil, oil slurries, refinery sludge, tar, additives, water-oil emulsion, heavy oil, paraffins.



WINE AND BEVERAGE

● 酿酒及饮料业

用来输送啤酒，酒糟，麦芽汁，酵母，果浆，果汁，浓缩饮料，香精，添加剂
Pump can convey beer-mash, malt grains, wort, yeas, fruit juice, fruit mash, beverage, concentrates, flavour, additives.



CHEMICAL INDUSTRY

● 化工行业

主要用来输送各类无机酸，碱，添加剂，悬浮液，污泥等
Pump can convey acid, lye, additives, suspension, sludge



BUILDING AND MINING

● 建筑行业和采矿业

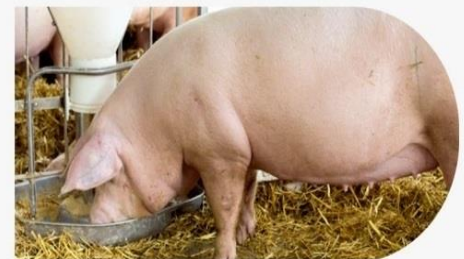
用来输送混凝土，膨润土，碎石，沙子，石灰，石灰悬浮液
Pump can convey concrete bentonite grave and sand, plaster, gypsum suspension.



AGRICULTURE

● 农业养殖

用来输送液体肥料，宠物液体食品，生物制品，秸秆，沼渣等
Pump can convey liquid manure, liquid pet food, biomass

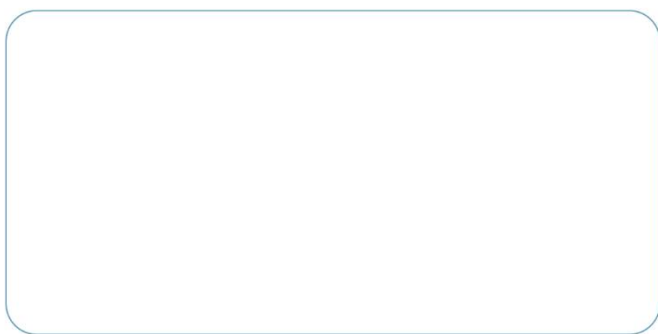


碧水蓝天 共同家园

Clean Water and Blue Sky, Our Beautiful Homeland

罗博思达授权合作伙伴

LobePro Authorized Partner



湖南罗博思达环保科技

LOBEPRO (HUNAN) ENVIRONMENTAL TECHNOLOGY CO., LTD.

湖南省沅江市中南船舶配套产业园6#厂房

电话:0737-2706068

传真:0737-2759068

www.lobepro-china.com

罗博思达(上海)

LOBEPRO (SHANGHAI) FLUID TECHNOLOGY CO.,LTD.

上海市嘉定区陈宝路285号

电话:021 5285 9350

传真:021 5285 3596

www.lobepro-china.com

罗博思达(美国)

LOBEPRO INC./HOLLAND PUMP MFG. INC.

Add:2610, Sidney Lanier Drive, Brunswick, GA 31525 USA

Tel:+1 (912) 466 0304

Fax: +1 (912) 466 0086

www.lobepro.com

